

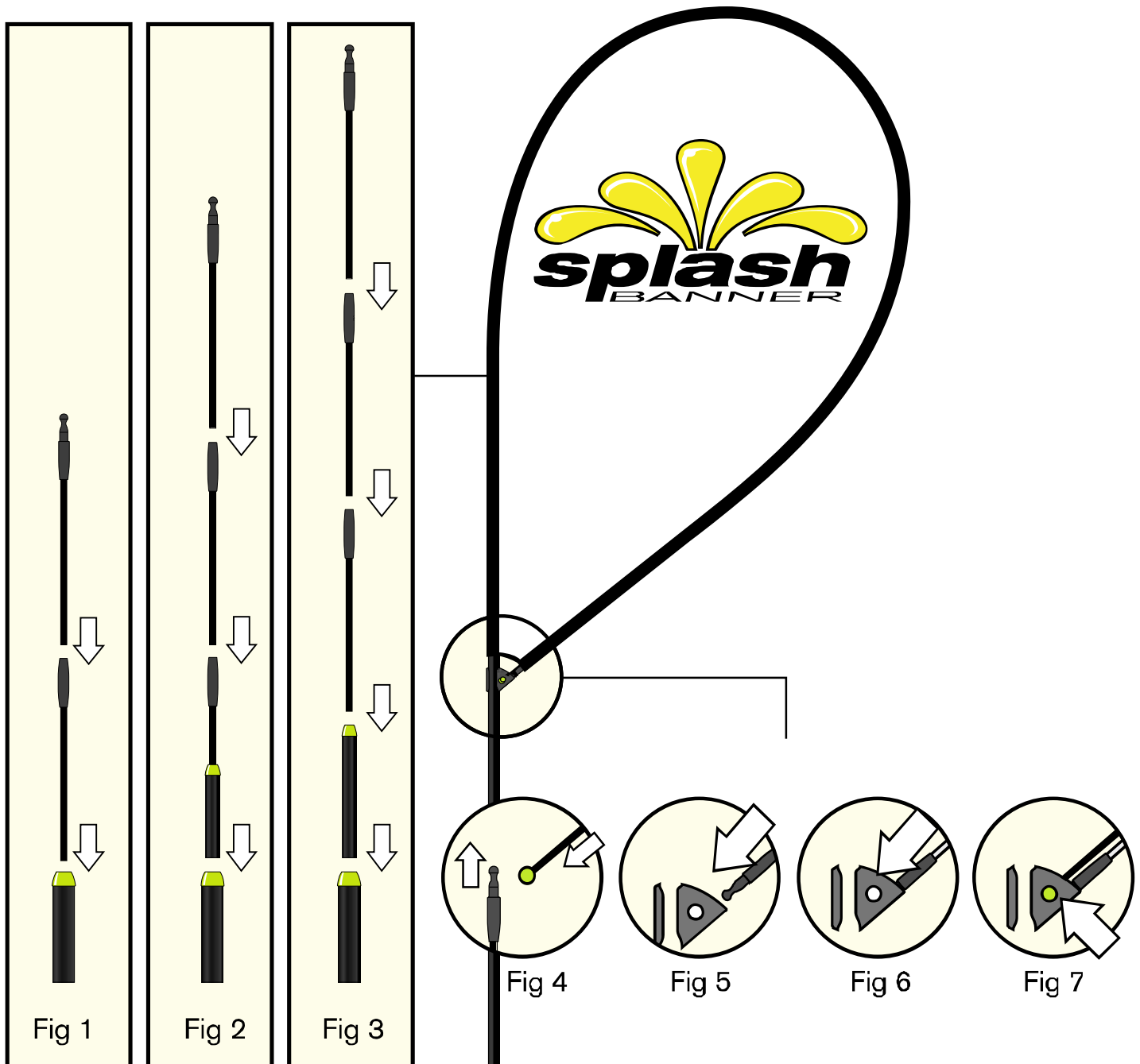


## ASSEMBLY INSTRUCTIONS

Thank you for choosing a Splash Banner, the unique portable lightweight banner display for indoor and outdoor use, guaranteed to attract attention

### Assembly Instructions:

- 1, Assemble pole sections as Illustrated (the small size Fig1, the medium size Fig2, and the large size Fig3). Ensure the pole section are firmly pushed together.
- 2, Insert top of pole into the open end of the banner sleeve (Fig4). (Do not insert it into the second open end with the yellow flag 'button' attached).
- 3, Push the pole fully around the banner sleeve until the tip exits the second open end.
- 4, Insert the pole tip into the plastic hub (Fig5. and Fig6.) and lock in place by inserting yellow 'button' on the banner into the hole in hub (Fig7.). This will lock the pole and banner assembly together.
- 5, Fit the pole onto your chosen mounting option (instructions overleaf).



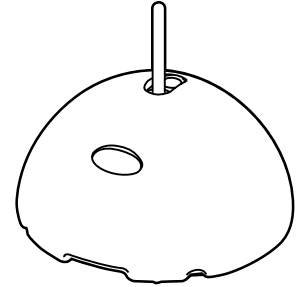


## ASSEMBLY INSTRUCTIONS

### BASE OPTIONS

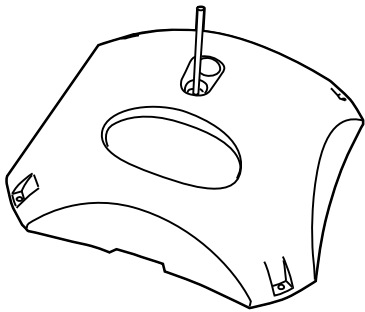
**VEGA** - rotationally moulded heavy duty plastic freestanding water/sand base 38cm diameter x 20cm height, complete with removable metal spigot

(Weight 13kg filled with water, 23kg filled with dry sand, 1.5kg Empty n.b this base should only be used when completely full suitable for both internal & External use - max unit size 3.3 Mtr)



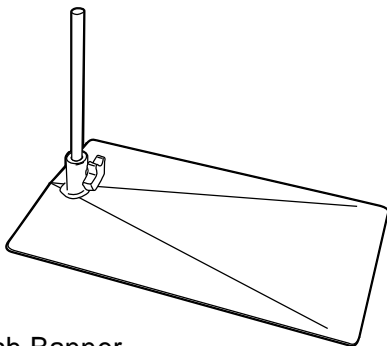
**NOVA** rotationally moulded heavy duty plastic freestanding water/sand base 60cm x 60cm x 20cm height, complete with removable metal spigot includes wheels and removable towing handle for ease of portability on flat surfaces.

(Weight 30kg filled with water, 53kg filled with dry sand, 3kg Empty n.b this base should only be used when completely full suitable for both internal & External use - max unit size 5.5 Mtr)



*(Please note the Vega & Nova bases are to be used as a temporary product, given the variation in weather conditions externally we would advise using with the maximum weight)*

**Ground Stake** Ensure the stake is vertical, and press firmly into the ground. If necessary secure further by tapping the top of the angles steel section with a mallet. Do not apply pressure to the top of the 12mm spigot. When a used in sand or near salt water, clean after use.



**Splash Wedge** Position your car wheel over the base  
Fit pole over the 12mm spigot.

### Caring for your Spash Banner

Please note: Splash Banner displays are designed for use as retail displays at events etc, either indoors or in appropriate conditions outdoors. It is not designed to be mounted outdoors permanently.

Please note that the pole must be allowed to rotate freely within the spigot. When used externally the spigot should be checked for tightness every few hours

The potential uses for this product range are infinite. It remains the responsibility of the user to establish the suitability of the product/s for the use/s to which they are put. Products in this range are designed for intermittent use only. They are not designed for rough handling or for use in strong winds etc. We take no responsibility for any failure or damage caused.