

# flexilite™

FLAG DISPLAY

## ASSEMBLY INSTRUCTIONS

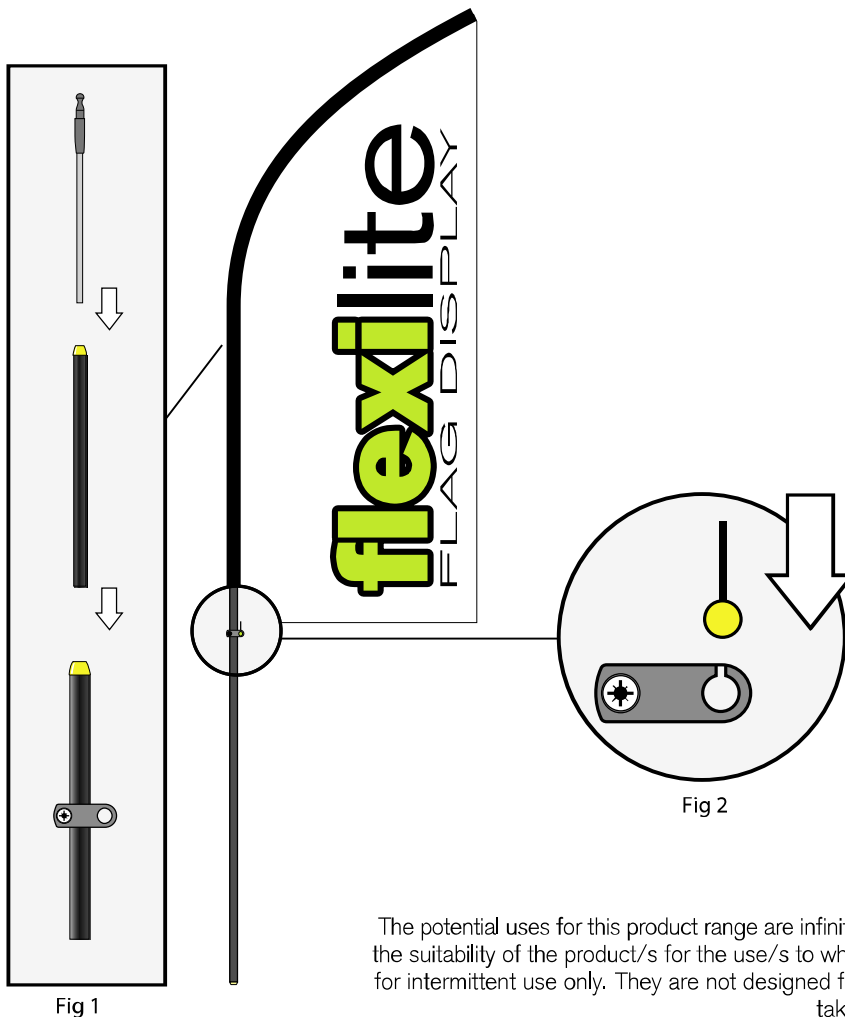
Thank you for choosing a Flexilite, the unique portable lightweight flag display for indoor and outdoor use, guaranteed to attract attention.

### Caring for your Flexilite

Please note: Flexilite flag displays are designed for use as retail displays, at events etc., either indoors, or in appropriate conditions outdoors. It is not designed to be mounted outdoors permanently.

### Assembly Instructions:

1. Assemble pole as illustrated (Fig 1).
2. Insert top of pole into the sleeve opening at the bottom of the flag.
3. Push pole fully into the sleeve until the tip reaches the end of the sleeve.
4. **Secure the flag in position by inserting the yellow flag 'button' into the fitting on the pole.** (Fig 2)
5. If necessary the flag tension can be adjusted. **To do so, loosen the pole fastening using a Philips screwdriver. With the flag attached, slide up or down the pole to achieve the desired flag tension,** then tighten the screw. (This only needs doing once).
6. Fit the pole onto your chosen mounting option (instructions overleaf).



The potential uses for this product range are infinite. It remains the responsibility of the user to establish the suitability of the product/s for the use/s to which they are put. Products in this range are designed for intermittent use only. They are not designed for rough handling or for use in strong winds etc. We take no responsibility for any failure or damage caused.

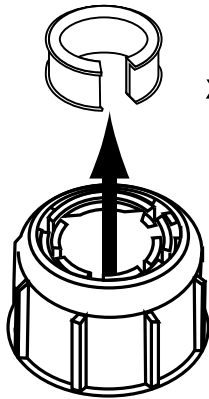
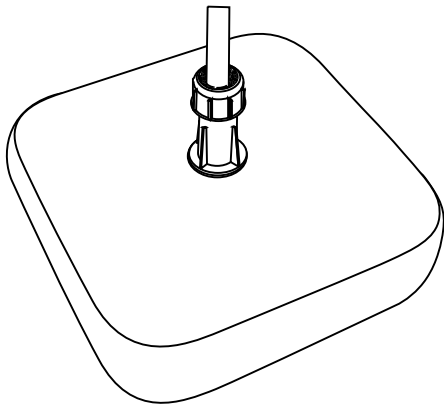
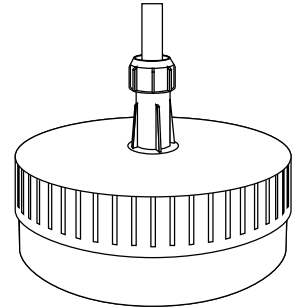
## MOUNTING OPTIONS

### BASE OPTIONS

**30ltr circular freestanding water base** 48cm diameter x 17cm height, complete with heavy duty screw in spigot.

(Weight 29kg filled, n.b this base should only be used when completely full of water)

Suitable for both internal & External use - max pole size 3.3 mtr)



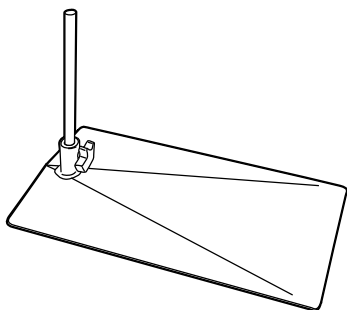
**50ltr square freestanding water base** 61cm length x 61cm width x 17.5cm height, complete with heavy duty screw in spigot and spigot connector.

(Weight 42kg filled, n.b this base should only be used when completely full of water)

Suitable for both internal & External use  
- max unit size 4.8mtr)

When using the 1.5m extension pole, remove the innermost ring spacer from the top of the spigot

**Ground Stake** Ensure the stake is vertical, and press firmly into the ground. If necessary secure further by tapping the top of the angles steel section with a mallet. Do not apply pressure to the top of the 12mm spigot. When a used in sand or near salt water, clean after use.



**Flexlite Wedge** Position your car wheel over the base  
Fit pole over the 12mm spigot.

### **Caring for your Flexilite**

Please note: Flexilite displays are designed for use as retail displays at events etc, either indoors or in appropriate conditions outdoors. It is not designed to be mounted outdoors permanently.

Please note that the pole must be allowed to rotate freely within the spigot. When used externally the spigot should be checked for tightness every few hours

The potential uses for this product range are infinite. It remains the responsibility of the user to establish the suitability of the product/s for the use/s to which they are put. Products in this range are designed for intermittent use only. They are not designed for rough handling or for use in strong winds etc. We take no responsibility for any failure or damage caused.